



Our versatile designer side-post parasol

- maximum flexibility
- elegant design
- high-grade steel and aluminium

MAY – shade systems
made in Germany





DACAPO DG – standard model and DACAPO DK – with crank for cross arm regulation

With the help of a ball-joint mechanism the DACAPO canopy can be tilted to any required angle – depending on the position of the sun – and then locked. The standard incorporation of a pneumatic spring in the umbrella mast enables easy height (vertical) adjustment. If requested, parasols can also be supplied with a crank for horizontal operation of the cross arm. In that case order DACAPO DK.

Complete freedom of movement

The position of the mast of DACAPO side-post parasols allows completely unencumbered movement in shaded areas. Consequently, you will be able to make full use of your garden, balcony or patio space.

High-quality framework materials

The poles of our sunshades are all made of high-quality alloyed, extruded aluminium profiles. Frame surfaces are anodized, highly impact-proof, and available in the colour EV1 natural silver-grey. The spokes are of spring steel and powder-coated, available in white RAL 9010 or silver RAL 9006.

Ultra-quick opening and closing

A technical tour de force. DACAPO can be opened in next to no time and closed again just as quickly. No need to dismount anything. When closed and folded together, the space-saving parasol can easily be stored away. An advantage that no other side-post umbrella can beat.

Maximum movability of the canopy

The canopy of the parasol can be tilted at any angle, depending on the position of the sun. E.g. set at an angle of 90°, it can protect you from the low rays of the sun or serve as a screen for privacy.

Canopy covering fabric

For fabrics and colours cf. Page 84 onwards.

Valance options

- without valance
- straight valance

When not in use

The protective cover provided can easily be slipped over the shade during bad weather periods.

Installation options

- mobile
 - stationary
- cf. Page 28 onward.



DG, Dacapo standard version



DK, Dacapo with crank

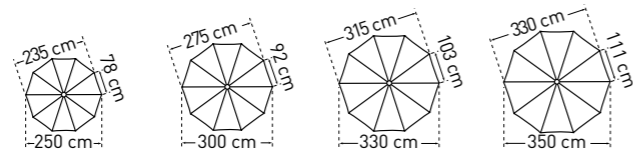


Ball joint

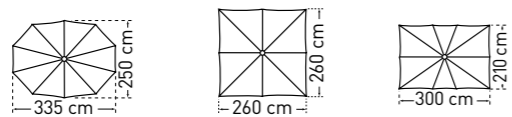


Straight valance





DACAPO DG - standard model		Ø 2.5 m	Ø 3.0 m	Ø 3.3 m ³⁾	Ø 3.5 m ^{2) 3)}
Segments		10	10	10	10
Area	m ²	4.9	7.1	8.5	9.6
A	min. /max. cm	250 / 290	250 / 290	250 / 290	250 / 290
B	cm	160	160	180	180
C	min. /max. cm	222 / 262	222 / 262	222 / 262	222 / 262
D	cm	185	185	205	205
H	min. /max. cm	195 / 235	195 / 235	195 / 235	195 / 235
K¹⁾	min. /max. cm	100 / 140	80 / 120	60 / 100	50 / 90
L¹⁾	min. /max. cm	180 / 220	170 / 210	170 / 210	170 / 210
M¹⁾	min. /max. cm	69 / 109	69 / 109	50 / 90	40 / 80
P	Support pole diameter mm	outer Ø 55 (pole thickness 3)			
Weight	kg	18	19	19	20
Packaging: rectangular cardboard box, ca. 3 kg, l= 235 cm, w= 37 cm, h= 15 cm					



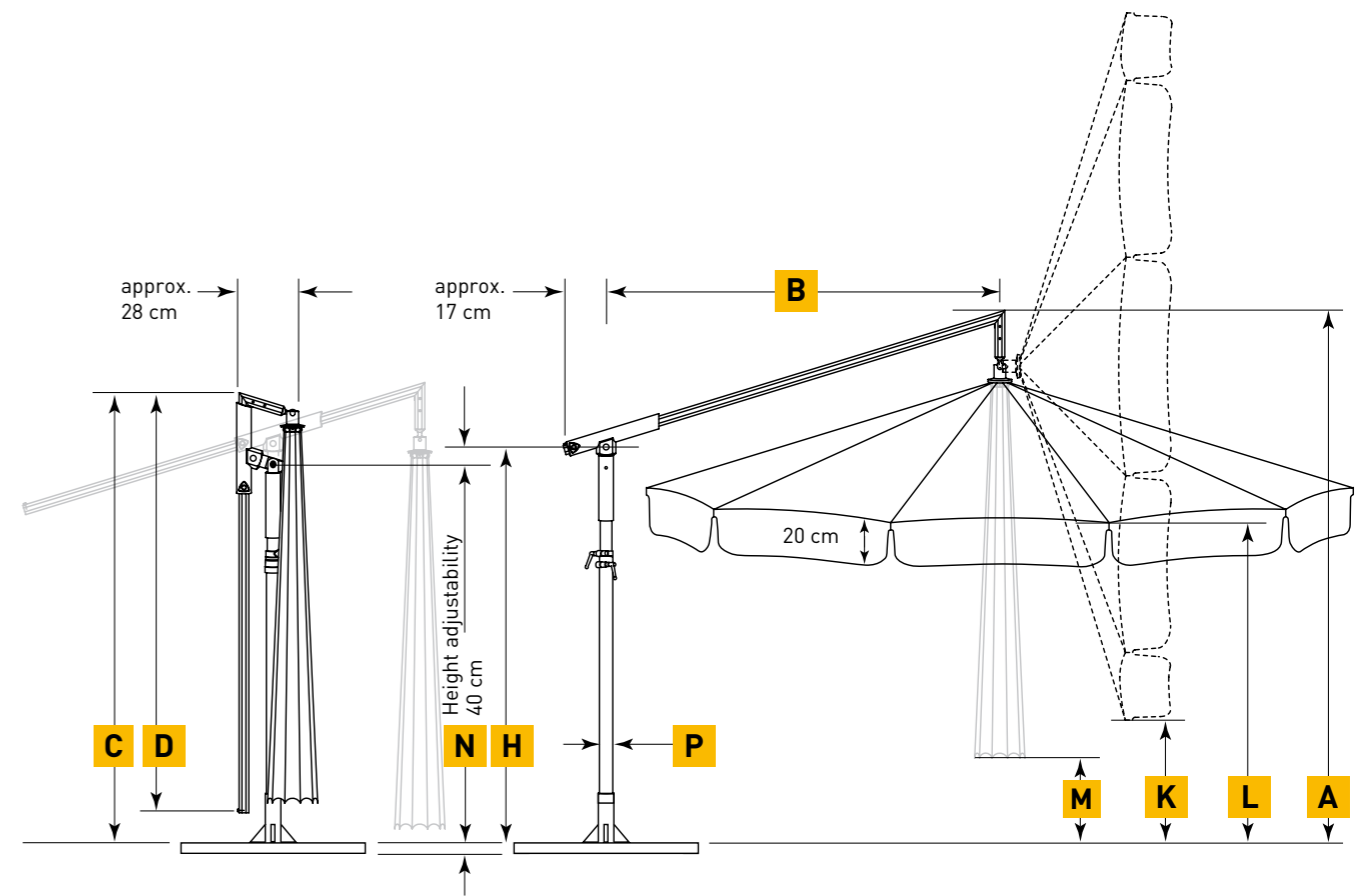
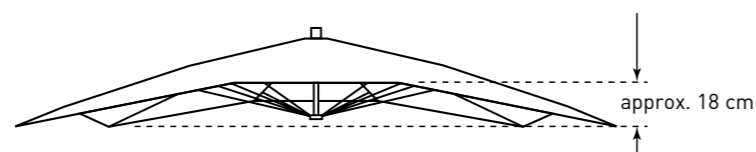
DACAPO DG - standard model		Ø 2.5 x 3.35 m ^{4) 1)}	Ø 2.1 x 3.0 m ⁴⁾	2.6 x 2.6 m
Segments		10	10	8
Area	m ²	6.8	6.3	6.8
A	min. /max. cm	250 / 290	250 / 290	255 / 294
B	cm	180	180	180
C	min. /max. cm	222 / 262	222 / 262	223 / 263
D	cm	205	205	207
H	min. /max. cm	195 / 235	195 / 235	195 / 235
K¹⁾	min. /max. cm	100 / 140	115 / 155	102 / 140
L¹⁾	min. /max. cm	171 / 211	168 / 208	192 / 231
M¹⁾	min. /max. cm	42 / 82	40 / 80	42 / 81
P	Support pole diameter mm	outer Ø 55 (pole thickness 3)		
Weight	kg	20	20	20
Packaging: rectangular cardboard box, ca. 3 kg, l= 235 cm, w= 37 cm, h= 15 cm				

¹⁾Sizes without valance: with valance less 20cm.

²⁾Ø 350 cm with valance: in Airtex only.

³⁾Additional pedestal weight may be required for windy locations (upwind, sloping sites and so on). Do not use granite base. Pedestals require 2 sets of concrete slabs.

⁴⁾The canopy is vaulted, so that the corner spokes are approx. 9-18 cm lower than the centre spokes. (cf. sketch)



N The heights specified are for sunshades that are mounted in anchor tube DMZ 118. The increase in height for parasols with other installation bases can be seen in the list below:

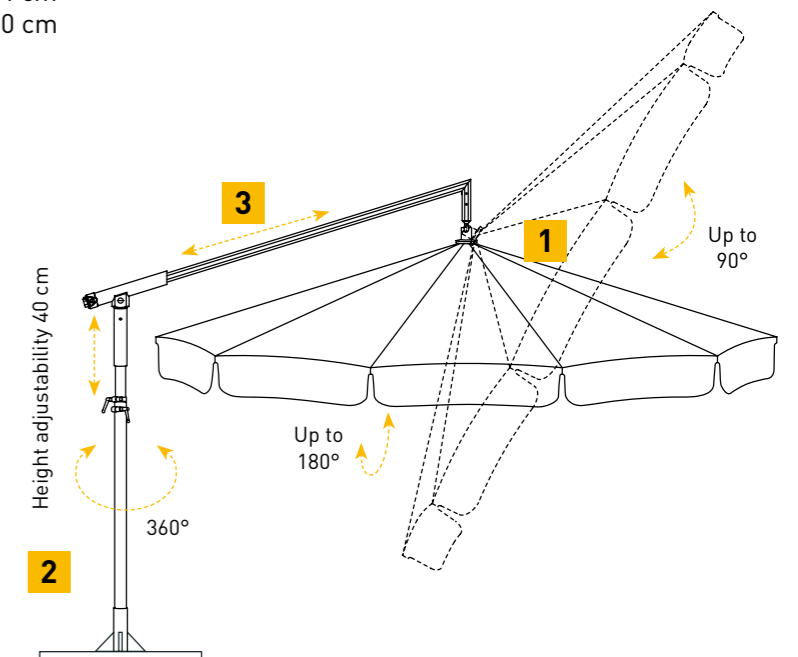
Cross pedestal:	DMZ 110 + 6 cm
Full frame pedestal:	DMZ 111 + 9 cm
Full frame pedestal:	DMZ 112 + 12 cm
Full frame pedestal:	DMZ 114 + 16 cm
Dowel-anchored plate:	DMZ 123 + 4 cm
Granite base:	DMZ 141 + 10 cm

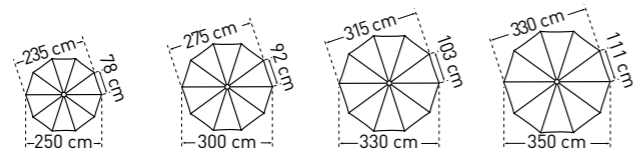
Minimum ballast required for mobile pedestals:
1 layer of concrete slabs 40 x 40 x 5cm.

Size of installation base required for all sunshade sizes: 50 x 50 x 50cm.
Base must be frost-proof and enlarged if the ground is unstable.

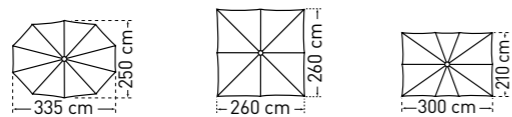
Adjustable to suit your individual needs

- 1** No matter where the sun is, the parasol canopy can be tilted at any angle for shade and protection, then locked. (DG and DK).
- 2** Effortless height adjustment thanks to standard incorporation of a pneumatic spring in the support pole (DG and DK).
- 3** On special request, additional crank for easy horizontal adjustment (DK).





DACAPO with crank DK		Ø 2.5 m	Ø 3.0 m	Ø 3.3 m ¹⁾	Ø 3.5 m ²⁾³⁾
Segments		10	10	10	10
Area		m ² 4,9	7,1	8,5	9,6
A	min. /max.	cm 240 / 280	240 / 280	245 / 285	245 / 285
B		cm 160	160	180	180
C	min. /max.	cm 212 / 252	212 / 252	210 / 250	210 / 250
D		cm 185	185	205	205
H	min. /max.	cm 185 / 225	185 / 225	185 / 225	185 / 225
K¹⁾	min. /max.	cm 90 / 130	68 / 108	46 / 101	33 / 73
L¹⁾	min. /max.	cm 170 / 210	160 / 200	164 / 204	160 / 200
M¹⁾	min. /max.	cm 59 / 99	59 / 99	40 / 80	30 / 70
P	Support pole diameter mm	outer Ø 55 (pole thickness 3)			
Weight		kg 18	19	19	20
Packaging: rectangular cardboard box, ca. 3 kg, l= 235 cm, w= 37 cm, h= 15 cm					



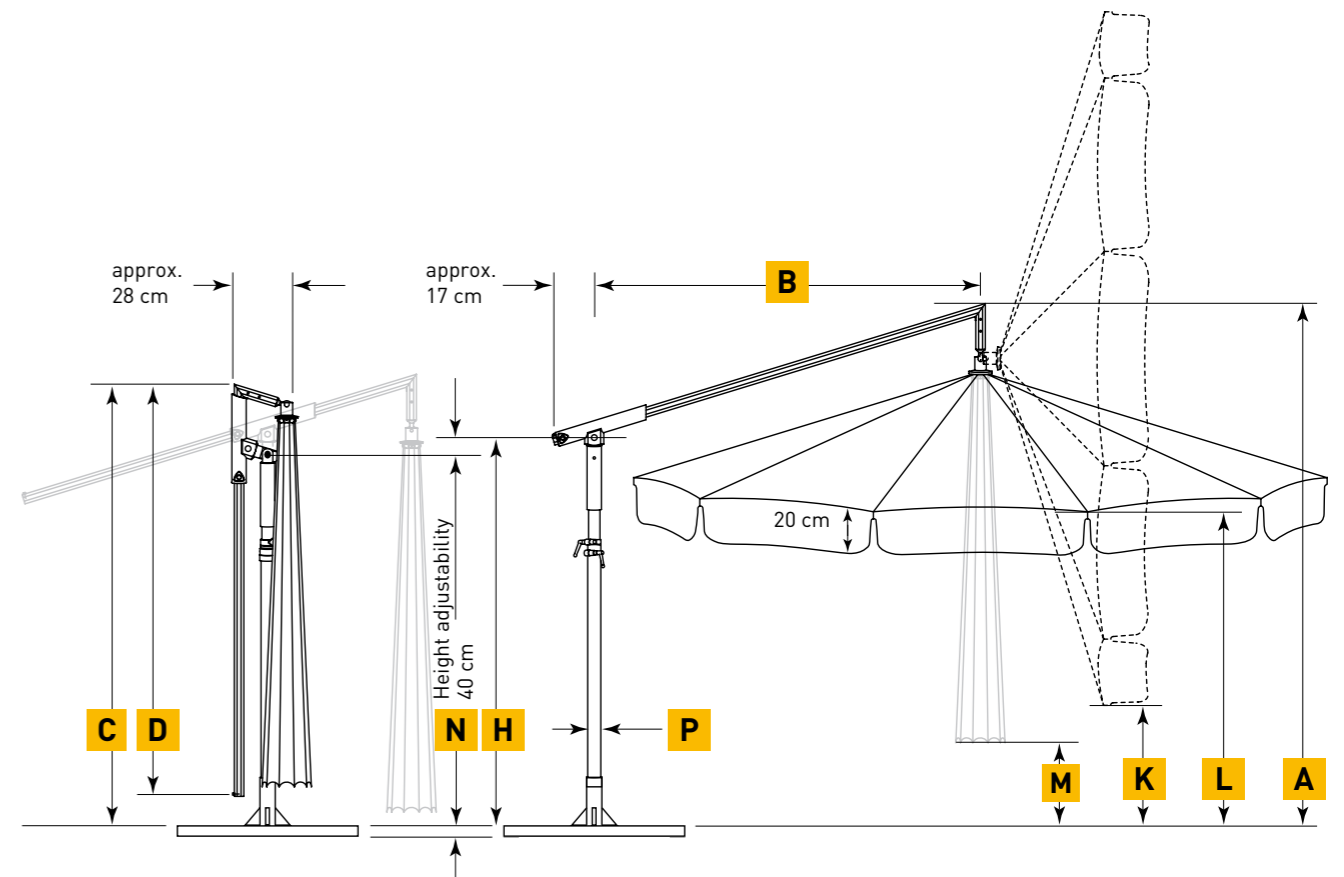
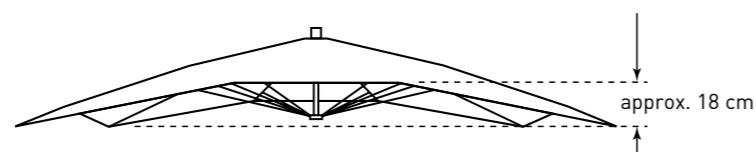
DACAPO with crank DK		Ø 2.5 x 3.35 m ^{4) 1)}	Ø 2.1 x 3.0 m ⁴⁾	2.6 x 2.6 m
Segments		10	10	8
Area		m ² 6,8	6,3	6,8
A	min. /max.	cm 245 / 285	245 / 280	245 / 284
B		cm 180	180	180
C	min. /max.	cm 210 / 250	210 / 250	213 / 253
D		cm 205	205	207
H	min. /max.	cm 185 / 225	185 / 225	185 / 225
K¹⁾	min. /max.	cm 90 / 130	107 / 147	92 / 130
L¹⁾	min. /max.	cm 160 / 200	180 / 220	182 / 221
M¹⁾	min. /max.	cm 32 / 72	30 / 70	32 / 71
P	Support pole diameter mm	outer Ø 55 (pole thickness 3)		
Weight		kg 20	20	20
Packaging: rectangular cardboard box, ca. 3 kg, l= 235 cm, w= 37 cm, h= 15 cm				

¹⁾Sizes without valance: with valance less 20cm.

²⁾Ø350 cm with valance: in Airtex only.

³⁾Additional pedestal weight may be required for windy locations (upwind, sloping sites and so on). Do not use granite base. Pedestals require 2 sets of concrete slabs.

⁴⁾The canopy is vaulted, so that the corner spokes are approx. 9-18 cm lower than the centre spokes. (cf. sketch)



N The heights specified are for sunshades that are mounted in anchor tube DMZ 118. The increase in height for parasols with other installation bases can be seen in the list below:

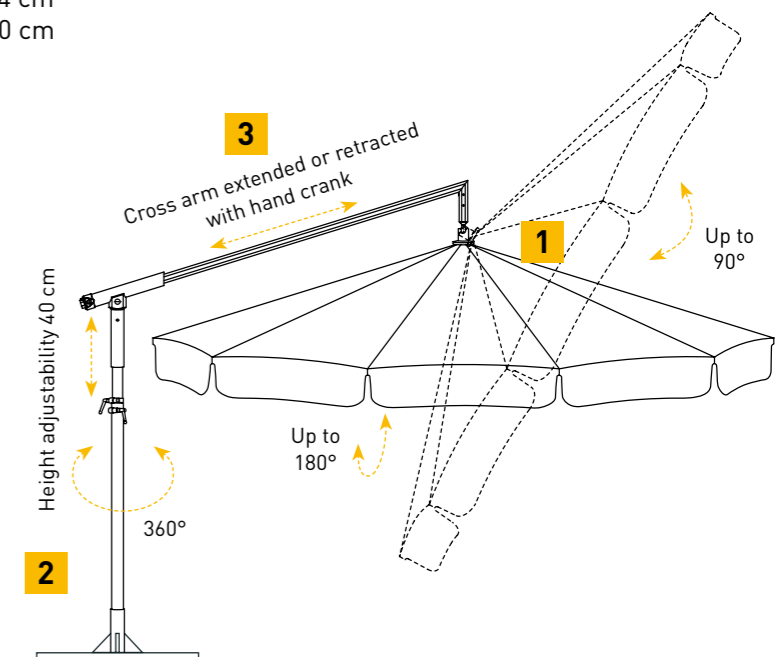
Cross pedestal:	DMZ 110 + 6 cm
Full frame pedestal:	DMZ 111 + 9 cm
Full frame pedestal:	DMZ 112 + 12 cm
Full frame pedestal:	DMZ 114 + 16 cm
Dowel-anchored plate:	DMZ 123 + 4 cm
Granite base:	DMZ 141 + 10 cm

Minimum ballast required for mobile pedestals:
1 layer of concrete slabs 40 x 40 x 5cm.

Size of installation base required for all sunshade sizes: 50 x 50 x 50cm.
Base must be frost-proof and enlarged if the ground is unstable.

Adjustable to suit your individual needs

- 1** No matter where the sun is, the parasol canopy can be tilted at any angle for shade and protection, then locked. (DG and DK).
- 2** Effortless height adjustment thanks to standard incorporation of a pneumatic spring in the support pole (DG and DK).
- 3** On special request, additional crank for easy horizontal adjustment (DK).



DACAPO – Accessories and Bases

Additional protective sleeve with zipper, in Airtex.
Please state parasol size.

Order No. **DA130**



DA130

DACAPO – mobile installation options

Cross pedestal

mounted with screws, without slabs,
for standard concrete slabs,
40 x 40 x 5 cm, galvanized. 83 x 83 cm,
weight 4.5 kg, total height 28 cm.

Order No. **DMZ110**



DMZ110

Full frame pedestal without slabs,
for 1 set of concrete slabs,
galvanized, 83 x 83 cm, weight 22 kg,
height of frame (x) = 5 cm, total height 31cm.

Order No. **DMZ111**

Full frame pedestal with four rubber diagonal
support levelling screws, without slabs, for 1 set of
concrete slabs, galvanized, 83 x 83 cm, weight 23
kg, total height min. 34 cm, max. 38 cm.

Order No. **DMZ112**



DMZ111

Full frame pedestal on wheels with rubber heavy-
duty rollers and fixing brakes, without slabs, for 1
set of concrete slabs, galvanized, 83 x 83 cm, weight
23 kg, total height 38 cm, diameter of rollers 5 cm.
Attention: wind sensitive!

Order No. **DMZ114**



DMZ112

Concrete slabs

1 set = 4 slabs, each 40 x 40 x 5 cm,
weight per slab: approx. 18 kg.

Order No. **XZ40**

Granite Base

Ø approx. 70 cm, 2 pieces, round,
height approx. 10 cm, grey, polished, 4 recessed
grips, stainless steel surface, weight 100 kg.

Order No. **DMZ141**



DMZ141

XZ40

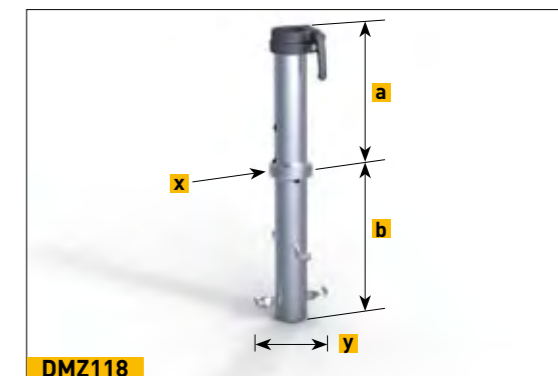


DMZ114

Anchor tube to be embedded in concrete

2 pieces, screw-off upper part, galvanized,
weight 4.7 kg incl. top plate for winter protection,
a = 25 cm, b = 29 cm, x = Ø 8 cm, y = 15 cm.

Order No. **DMZ118**



DMZ118

Anchor tube to be embedded in concrete

same as DMZ 118, but lockable with theft pin.

Order No. **DMZ119**

Dowel-anchored plate

galvanized, weight 18 kg.
a = 27.5 cm, x = 30 x 30 cm, t = 1 cm, z = Ø 1.8 cm.

Order No. **DMZ123**



DMZ123

Dowel-anchored plate

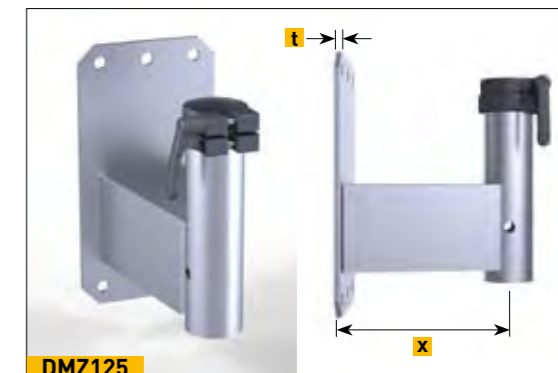
same as DMZ 123, but lockable with theft pin.

Order No. **DMZ124**

Wall bracket

galvanized, weight 5.5 kg,
wall plate, 30x16 cm, x = 20 cm, t = 0.6 cm,
Bottom of support pole rests on bottom end of
anchor tube.

Order No. **DMZ125**



DMZ125

Wall bracket

with upper part of anchor tube DM 118
galvanized, weight 6.5 kg,
wall plate 30x16 cm, x = 20 cm, t = 0.6 cm.

Order No. **DMZ170**



DMZ170

Theft pin

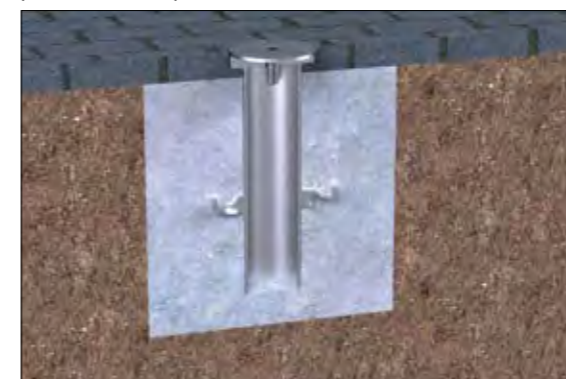
padlock and pin.
For support pole Ø 55 mm.

Order No. **200194**



200194

3-dimensional view of installation base with trip-proof top
plate for winter protection.



DACAPO – Stationary Installation Options