

The specific characteristic of FILIUS, the „Little Lightweight” among our range of parasols, is its lightness. It is precisely this feature that makes it extremely versatile and a fast-seller. Wherever FILIUS is put to use – for outdoor catering, in pedestrian zones, for market stands, for private, commercial or merely decorative purposes – it harmonizes well with its environment.



Small sizes but top-quality workmanship

- robust aluminium parasol
- easy handling
- with rope pull or crank drive
- frequent mounting and dismantling without problem

MAY – shade systems
made in Germany





Operation

FILIUS is available in two different versions:

- with rope pull (FS)
- with crank drive (FK)

High-quality framework materials

The poles of our sunshades are all made of high-quality alloyed, extruded aluminium profiles. Frame surfaces are powder-coated, highly impact-proof, and available in white RAL 9010, brown RAL 8019, or silver RAL 9006. Special colours available on request.

- support pole \varnothing 55 x 2.5 mm
- spoke dimensions
30 x 15 x 2 mm/ 25 x 15 x 2 mm
- support strut dimensions
25 x 15 x 2 mm

Frame joints

For us perfection in workmanship is an absolute must. Therefore, all moving axes are fitted with bolts and the canopy fabric is protected from damage. This extravagant technology ensures maximum stability and durability as well as easy execution of repairs.

Top plate

Elegant, graceful, highly practical. Can be screwed off. Colour to match frame.

Canopy covering fabric

Due to a special self-tensioning telescopic spring system the awning remains perfectly taut, even after years of usage. The canopy covering can easily and quickly be exchanged by means of a practical hooking system. For fabrics and awning colours see Page 84 onward.

Valance options

- without valance
- straight valance

When not in use

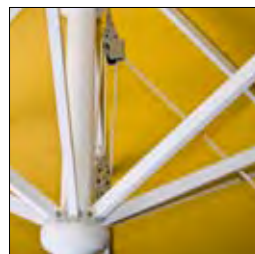
The protective cover provided can easily be slipped over the shade during bad weather periods.

Mounting

- Pull parasol out of cardboard sleeve.
- Remove all packaging material.
- Place parasol mast in holding tube.
That's all – ready for use in a jiffy!

Additional equipment

- Side sheets
- Rain gutter
cf. Page 82 onward



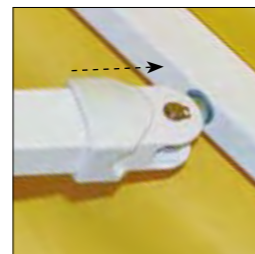
Rope pull



Crank drive



Frame colours



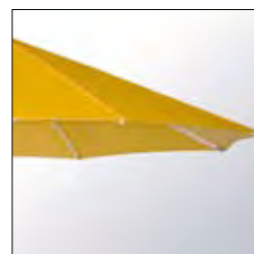
Frame joints



Top plate



Canopy covering



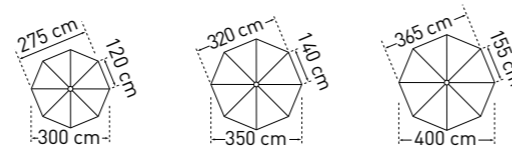
Without valance



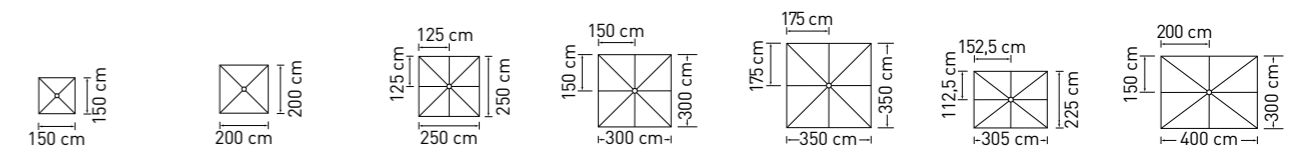
Straight valance



Closing function



Model FILIUS		Ø 3 m	Ø 3.5 m	Ø 4 m
Segments	Stk.	8	8	8
Area	m ²	7	9	12
A	Height closed, with valance	cm	279	287
B	Height closed, without valance	cm	259	267
C	Headroom with valance	cm	200	200
D	Headroom without valance	cm	202	202
E	Height of valance	cm	28	28
F	Ground clearance with valance	cm	113	97
G	Ground clearance without valance	cm	93	77
H	Crank height	cm	92	92
Weight without packaging	kg	12	15.5	17.5
Support pole diameter	mm	outer Ø 55 (pole thickness 2.5)		
Packaging:	cardboard sleeve, Ø 25 cm, length 307 cm, weight 7.5 kg			



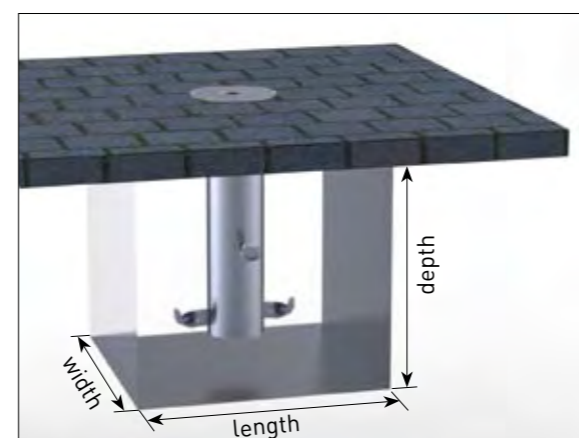
1.5 x 1.5 m	2 x 2 m	2.5 x 2.5 m	3 x 3 m	3.5 x 3.5 m	2.25 x 3.05 m	3 x 4 m
4	4	8	8	8	8	8
2.25	4	6.25	9	12	7	12
259	274	280	289	295	279	290
259	254	260	269	275	259	270
200	200	200	200	200	208	208
220	202	202	202	202	210	210
23	23	28	28	28	28	28
148	120	94	63	32	80	30
148	100	74	43	12	60	10
70	92	92	92	92	92	92
15	16	18	15	16	15	16.5
outer Ø 55 (pole thickness 2.5)						
Ø 25 cm, length 307 cm, weight 7.5 kg						

The heights specified are for sunshades that are mounted in anchor tube DMZ 118. The increase in height for parasols with other installation bases can be seen in the list below:

- Cross pedestal: DMZ 110 + 6 cm
- Full frame pedestal: DMZ 111 + 9 cm
- Full frame pedestal: DMZ 112 + 12 cm
- Full frame pedestal: DMZ 114 + 16 cm
- Dowel-anchored plate: DMZ 123 + 4 cm
- Granite base: DMZ 141 + 10 cm

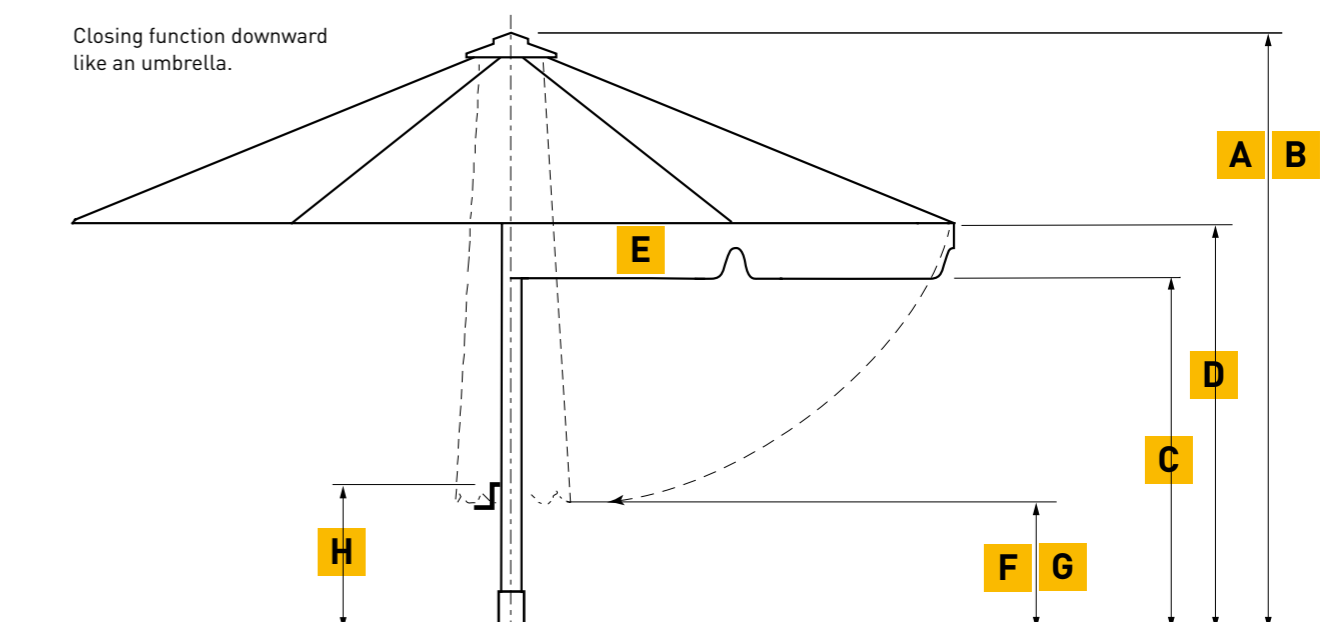
Minimum ballast required for mobile installation with full frame pedestal:
1 set of concrete slabs 40 x 40 x 5 cm

Installation base for all FILIUS sizes:
50 x 50 x 50 cm. Base must be frost-proof and enlarged if the ground is unstable.



right
3D view of installation base with top plate for winter protection.

Intermediate or special sizes available on request.



Additional protective sleeve

in Airtex. Please state parasol size.

Order No. **FA130**

Rain gutter

in Airtex, with aluminium rods for stabilization.
Can only be used with "straight valance".

Order No. **XA141**

Holder for side sheets and rain gutter

1 piece per spoke required.

Order No. **FA140**

Length extension of centre pole

State required additional length in cm. (max. 50 cm).

Special frame paint finish

Please state colour of powder-coating in RAL.

Canopy covering PVC-Era

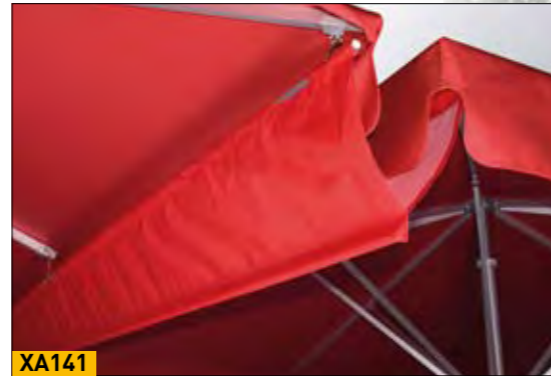
approx. 380g/m².

Side sheets

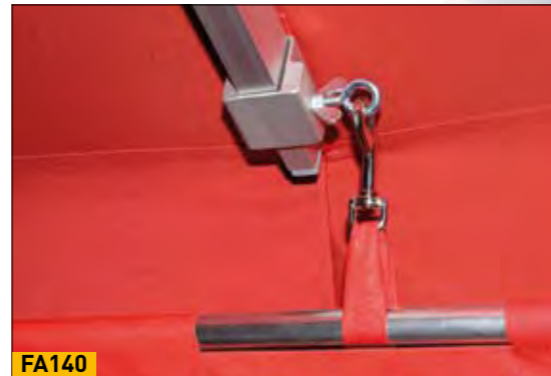
textile in Airtex,
cf. Page 82 onward.



FA130



XA141



FA140



A comprehensive range of accessories will enable you to equip your FILIUS to meet your very own requirements. You would like to have a specific colour, side sheets or a rain gutter? No problem. Choose to suit your taste.



FILIUS, FK 3 x 3 m



FILIUS, FK 3 x 3 m



FILIUS, FK 3.5 x 3.5 m



FILIUS, FK 2.25 x 3.05 m



FILIUS, FK 3 x 3 m



FILIUS, FK Ø 3 m

Cross pedestal

for 1 set of concrete slabs, mounted with screws, without slabs, galvanized, 83 x 83 cm, weight 4.5 kg, total height 28 cm.

Order No. **DMZ110**



DMZ110

Full frame pedestal without slabs, for 1 set of concrete slabs, galvanized, 83 x 83 cm, weight 22 kg, height of frame (x)= 5cm, total height 31cm.

Order No. **DMZ111**



DMZ111

Full frame pedestal with 4 diagonal support leveling screws, without slabs, galvanized, for 1 set of concrete slabs, 83 x 83 cm, weight 23 kg, total height min. 34 cm, max. 38 cm.

Order No. **DMZ112**



DMZ112

Full frame pedestal on wheels, with heavy-duty rollers and fixing brakes, without slabs, for 1 set of concrete slabs, galvanized, 83 x 83 cm, weight 23 kg, total height 38 cm, diameter of rollers 5 cm. Attention: wind sensitive !

Order No. **DMZ114**



DMZ114

Concrete slabs

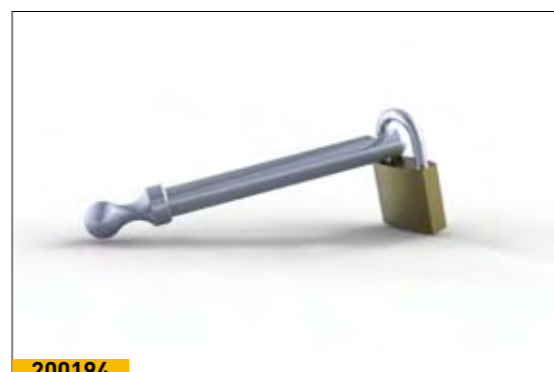
1 set = 4 slabs, each 40x40x5 cm, weight per slab: approx. 18 kg.

Order No. **XZ40**

Theft pin

padlock and pin.

Order No. **200194**



200194

Granite Base

Ø approx. 70 cm, 1 piece, round, height approx. 10 cm, grey, polished, 4 recessed grips, stainless steel surface, weight 100 kg.

Order No. **DMZ141**



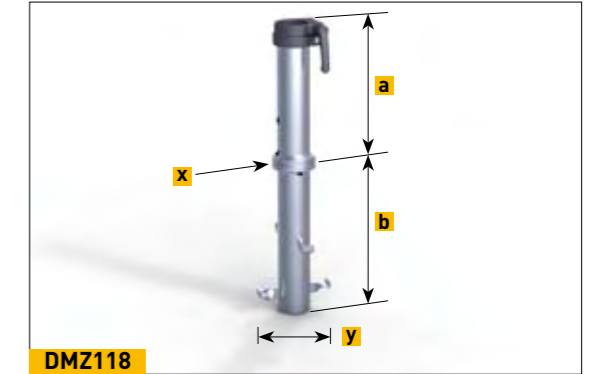
DMZ141

XZ40

Anchor tube to be embedded in concrete

2 pieces, screw-off upper part, galvanized, weight 4.7 kg incl. top plate for winter protection, a = 25 cm, b = 29 cm, x = Ø 8 cm, y = 15 cm.

Order No. **DMZ118**



DMZ118

Anchor tube to be embedded in concrete

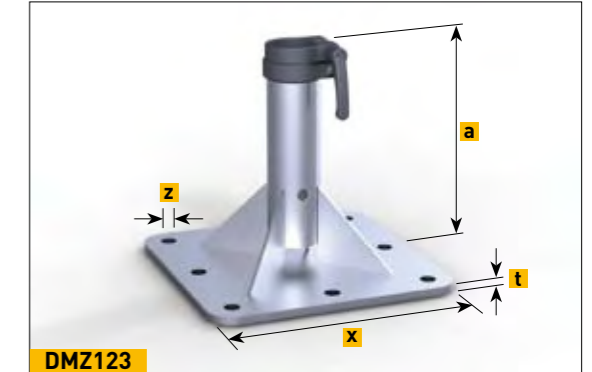
same as DMZ 118, but lockable with theft pin.

Order No. **DMZ119**

Dowel-anchored plate

galvanized, weight 18 kg, a= 27.5 cm, x= 30 cm, t= 1 cm, z= Ø 1.8 cm.

Order No. **DMZ123**



DMZ123

Dowel-anchored plate

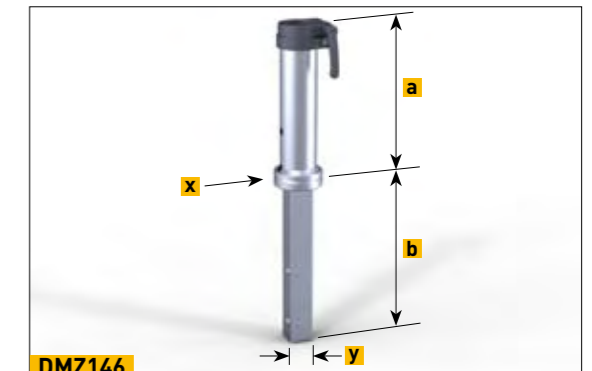
same as DMZ 123, but lockable with theft pin.

Order No. **DMZ124**

Anchor tube to be embedded in concrete in pre-drilled bore-hole

2 pieces, screw-off upper part, galvanized, weight 18 kg, lower tube square, 5 x 5 cm, for bore-hole of Ø 71 mm or more, a= 25 cm, b= 28,5 cm, x= Ø 8 cm, y= □ 5 x 5 cm.

Order No. **DMZ146**



DMZ146

Anchor tube to be embedded in concrete

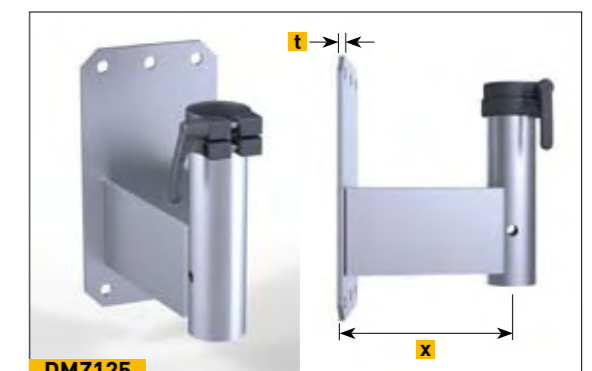
same as DMZ 146, but lockable with theft pin.

Order No. **DMZ147**

Wall bracket

galvanized, weight 18 kg, bottom of support pole rests on bottom end of anchor tube, wall plate 30 x 16 cm, x = 20 cm, t = 0.6 cm.

Order No. **DMZ125**

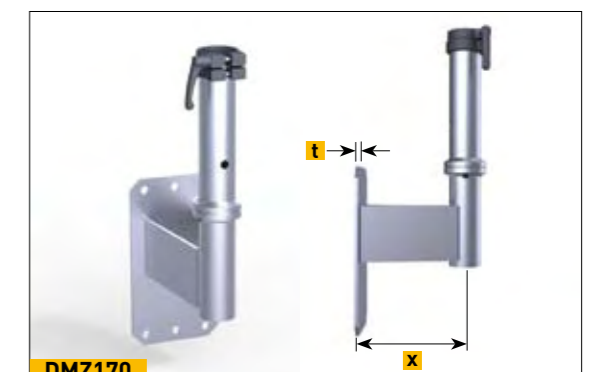


DMZ125

Wall bracket with upper part of anchor tube DM 118

galvanized, weight 6.5 kg, wall plate 30 x 16 cm, x = 20 cm, t = 0.6 cm.

Order No. **DMZ170**



DMZ170



DMZ118

left: 3-dimensional view of installation base with trip-proof top plate for winter protection.