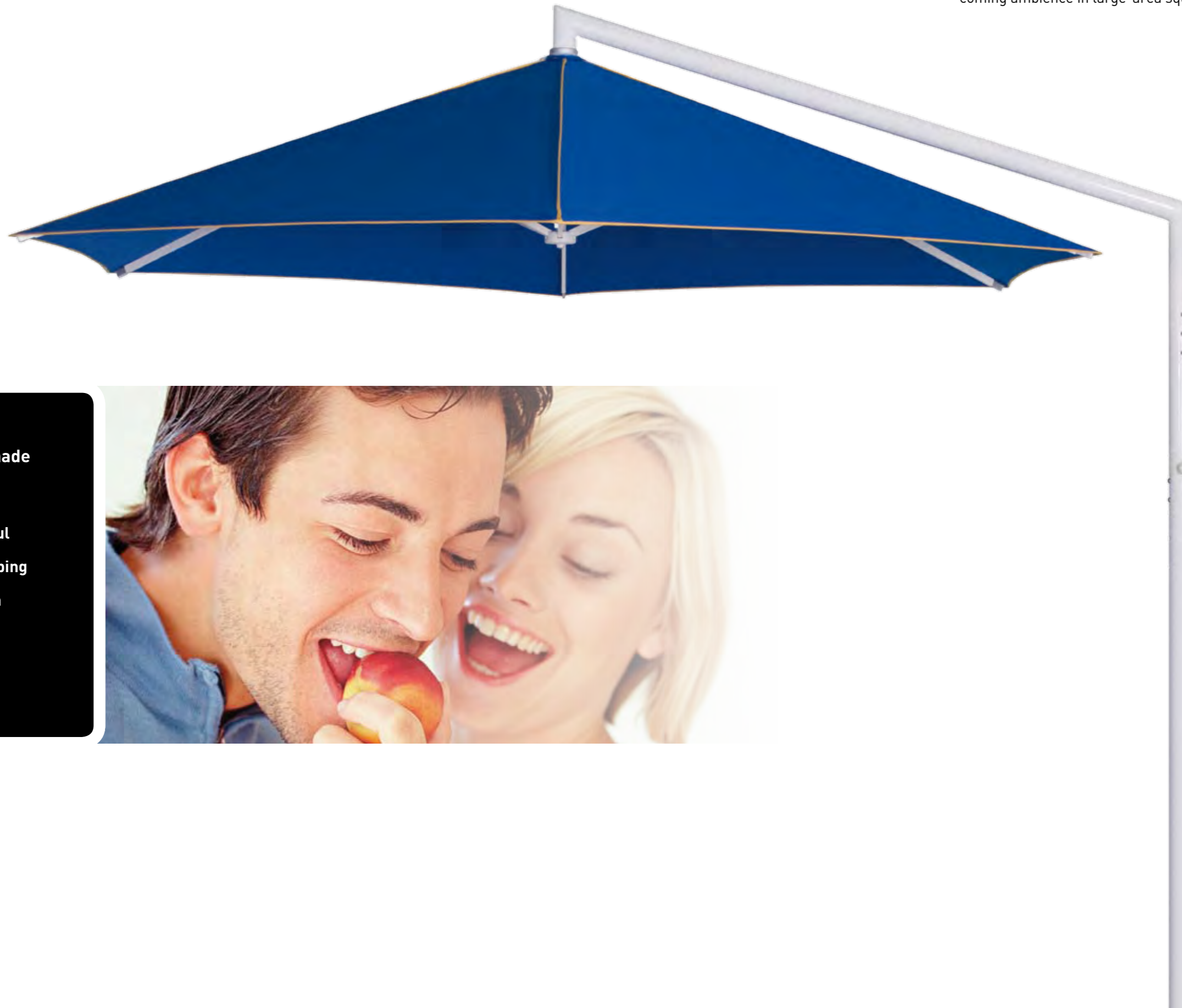


RIALTO stands for atmosphere and architectural style – both indoors and outside. This impressive sunshade concept can be put to a variety of uses to suit private, public or business requirements. Furthermore, it can create a welcoming ambience in large-area squares, exhibitions, stylish venues and foyers.



Our upmarket side-post sunshade up to Ø 4 m

- exclusive and graceful
- designer shade grouping
- optional pivot system

MAY – shade systems
made in Germany



RIALTO RG – standard model RIALTO RP – canopy with pivot system

Operating the sunshade

with removable stainless steel crank.

High-quality framework materials

The poles of our sunshades are all made of high-quality alloyed, extruded aluminium profiles. Frame surfaces are powder-coated, highly impact-proof, and available in white RAL 9010. Special colours available on request.

- support pole \varnothing 76 x 3 mm
- spoke dimensions
30 x 15 x 2 mm/ 25 x 15 x 2 mm
- support strut dimensions
25 x 15 x 2 mm

Frame joints

For us perfection in workmanship is an absolute must. Therefore, all moving axes are fitted with bolts. This extravagant technology ensures maximum stability and durability as well as easy execution of repairs.

Canopy covering fabric

Due to a special self-tensioning telescopic spring system, the awning remains perfectly taut, even after years of usage. The canopy covering can easily be exchanged by means of a practical hooking system. For fabrics and awning colours see Page 88 onward.

360° Rotation

All our anchoring systems are equipped with a special clamp that allows the sunshade to be rotated completely to follow the path of the sun.

Shade grouping

Specially designed for large-area outdoor catering. The sturdy Rialto mast can hold up to 4 elegantly grouped shades. A real eye-catcher for the patio with a difference!

Installation options

- mobile
- stationary
cf. Page 36 onward.

When not in use

The protective cover provided can easily be slipped over the shade during bad weather periods.



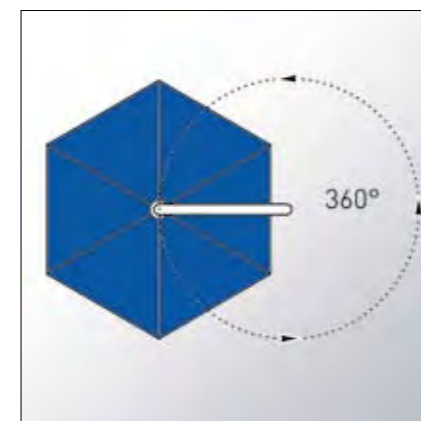
Operation



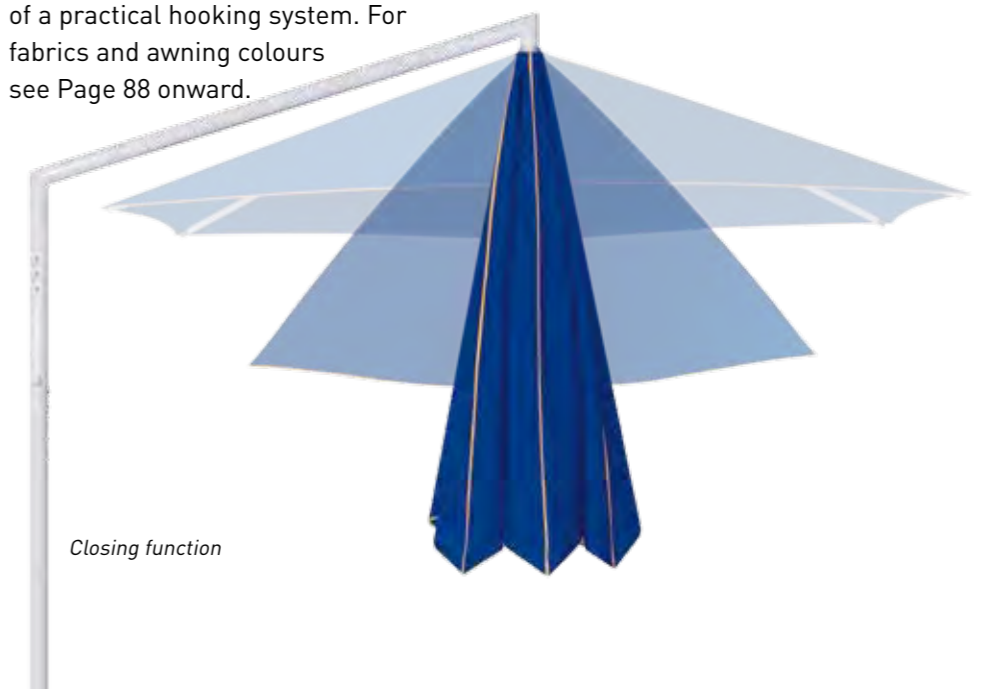
Canopy covering



Frame (single shade / triple shade)



360° rotation



Closing function



Crank to fix the tilted canopy



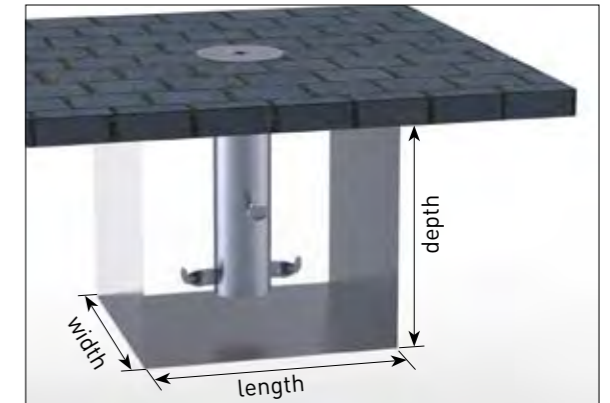
Pivot system



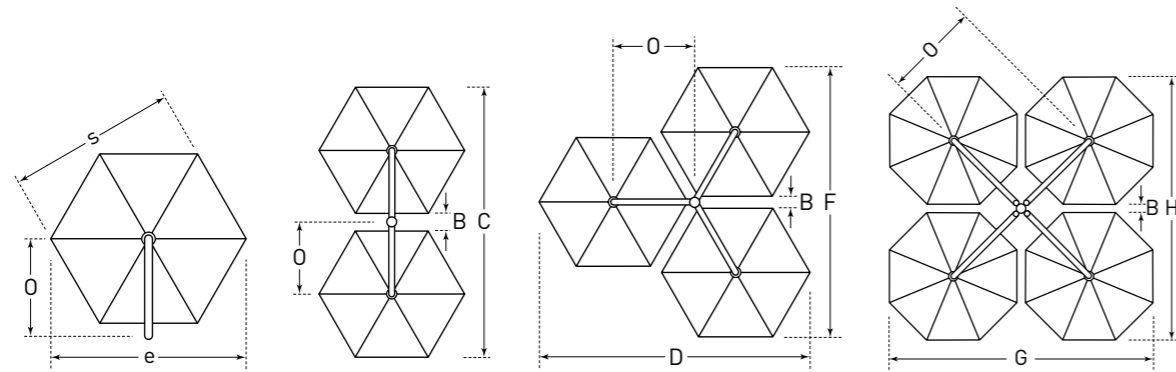
Flexible tilt function (max. 30°)



Wall mount for strain relief



3D view of installation base with trip-proof top plate for winter protection



		Single with 6 segments			Double with 6 segments			Triple with 6 segments			Quad with 8 segments		
e	m	Ø 3.0	Ø 3.5	Ø 4.0	Ø 3.0	Ø 3.5	Ø 4.0	Ø 3.0	Ø 3.5	Ø 4.0	Ø 3.0	Ø 3.5	Ø 4.0
s	cm	260	300	345	260	300	345	260	300	345	275	325	360
B	cm	-	-	-	90	53	45	50	40	40	40	25	20
C	cm	-	-	-	610	660	740	-	-	-	-	-	-
D = F	cm	-	-	-	-	-	-	570	650	740	-	-	-
G = H	cm	-	-	-	-	-	-	-	-	-	600	675	760
O	cm	170	190	220	175	190	220	175	190	220	220	240	270
P	cm	185	206	235	185	206	235	185	206	235	235	260	290
Q	cm	20	15	20	15	15	20	15	15	20	70	65	70
R	cm	155	180	205	155	180	205	155	180	205	120	135	155
Weight*		27 kg	29 kg	31 kg	49 kg	54 kg	58 kg	60 kg	66 kg	72 kg	86 kg	94 kg	102 kg
Support Pole		outer Ø 76 cm (pole thickness 3 mm)											

*without packaging

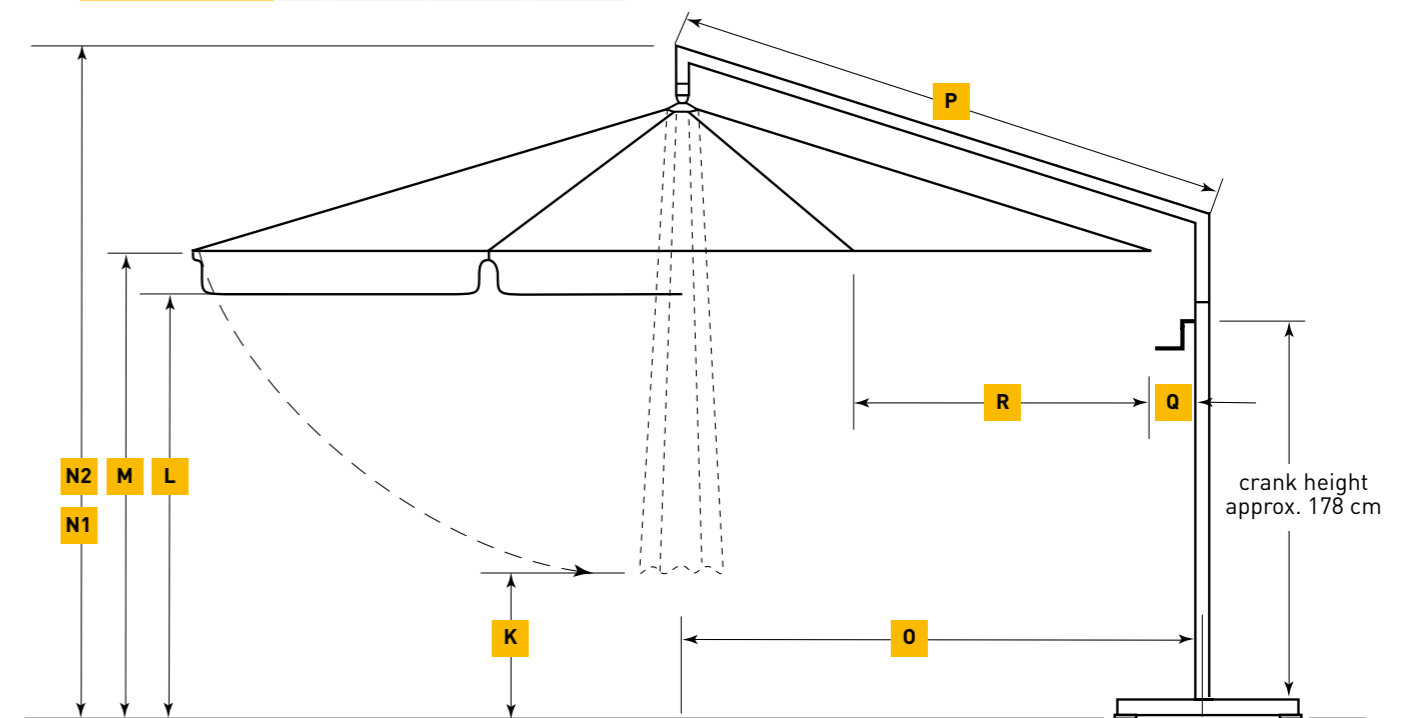
RIALTO RP – with pivot system

The sunshade can be moved and adjusted to the position of the sun with a removable crank. Thanks to an innovative pivot system the sunshade can smoothly be tilted to an angle of max. 30° and rotated completely. The canopy is fixed by turning the crank clockwise.

e	m	Ø 3.0 m	Ø 3.5 m	Ø 4.0 m
K	cm	100	75	55
L	cm	195	195	195
M	cm	200	200	200
N1 without valance	cm	270	280	285
N2 with valance	cm	290	300	305

Minimum ballast required for mobile pedestals:
1 layer of concrete slabs 50 x 50 x 5cm.

Size of installation base required for all sunshade sizes: 50 x 50 x 70cm.
Base must be frost-proof and enlarged if the ground is unstable.



Intermediate or special sizes available on request.

RIALTO Accessories and Bases

Additional protective sleeve with zipper
in Airtex. Please state sunshade size.

Order No. **RA130**

Special frame paint finish
Please state RAL number.

RIALTO – mobile installation options

Full frame pedestal without slabs

for 2 sets of concrete slabs,
galvanized, 103 x 103 cm, weight approx. 27 kg,
height of frame (x)= 5cm, total height 29 cm.

Order No. **RZ111**

Full frame pedestal with 8 rubber diagonal support levelling screws without slabs, for 2 sets of concrete slabs, galvanized, 103 x 103 cm, weight approx. 28 kg, total height min. 32 cm, max. 36 cm.

Order No. **RZ112**

Full frame pedestal on wheels

with rubber heavy-duty rollers and fixing brakes,
without slabs, for 2 sets of concrete slabs,
galvanized, 103 x 103 cm, weight approx. 28 kg,
total height 36 cm, diameter of rollers 5 cm.
Attention: wind sensitive!

Order No. **RZ114**

Concrete slabs

1 set = 4 slabs, each 50 x 50 x 5 cm,
weight per slab: approx. 28 kg.

Order No. **XZ50**



RA130



RZ111



RZ112



RZ114



XZ50

RIALTO – stationary installation options

Anchor tube to be embedded in concrete

2 pieces, screw-off upper part, for single and double-shade RIALTO, galvanized, weight 9.0 kg,
a = 22 cm, b = 29 cm, x = Ø 17 cm, y = 16 cm.

Order No. **RZ118**

Anchor tube to be embedded in concrete

same as RZ 118, but lockable with theft pin 200103.

Order No. **RZ119**

Anchor foot to be embedded in concrete

2 pieces, screw-off upper part, for triple-shade and quad-shade RIALTO, galvanized, weight 17 kg.

Order No. **RZ121**

Anchor foot to be embedded in concrete

same as RZ 121, but lockable with theft pin 200103.

Order No. **RZ122**

Dowel-anchored plate

galvanized, 50 x 50 x 1.2 cm, weight 23 kg,
a = 25 cm, x = □ 50 x 50 cm, t = 1.2 cm, z = Ø 1.8 cm.

Order No. **RZ123**

Dowel-anchored plate

same as RZ 123, but lockable with theft pin.

Order No. **RZ124**

Wall bracket

galvanized, weight 5.5 kg,
height/width/depth: 30/16/23 cm,
plate thickness: 0.6 cm.

When ordering, please state installation height,
i.e. distance from ground surface to bottom end of support mast. Otherwise it may become necessary to shorten the mast.

Please note when mounting:

- Only use heavy-duty dowels
- only suitable for concrete walls
or
- use through bolts

Order No. **RZ125**

Wall mount for strain relief

to complement wall bracket RZ125, to be mounted with heavy-duty dowels at chest height

Order No. **RZ301**

Theft pin

padlock and pin.
For support pole Ø 76 mm.

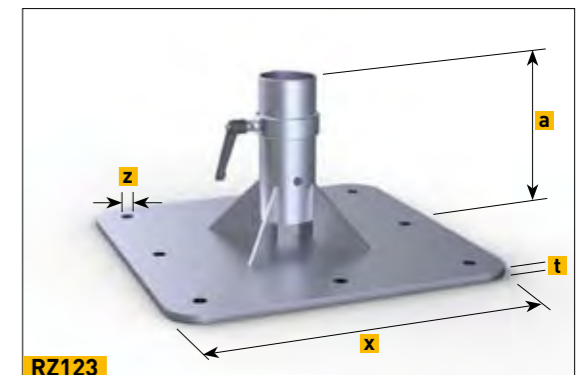
Order No. **200103**



RZ118



RZ121



RZ123



RZ125



RZ301